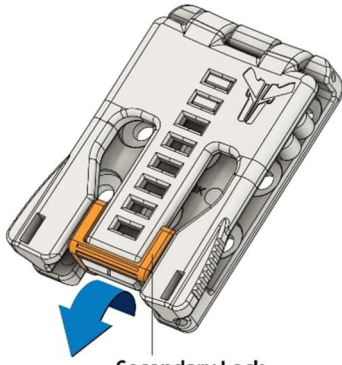


Step 1: Open Secondary Lock

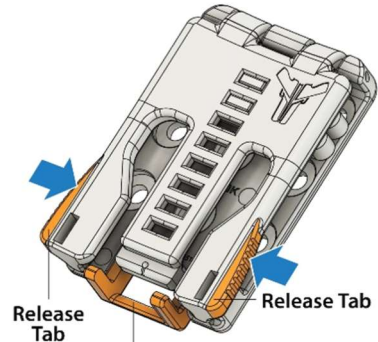
Rotate the secondary lock outward to the open position (UNLOCKED).



Secondary Lock
closed position (LOCKED)

Step 2: Press Release Tabs

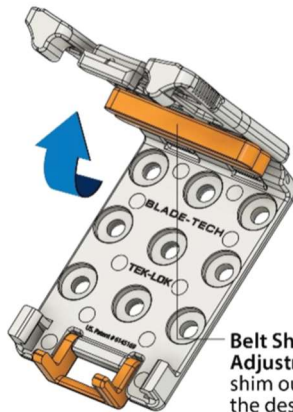
Simultaneously press both release tabs toward each other.



Release Tab
Secondary Lock
open position (UNLOCKED)

Step 3: Rotate Hinged Sections

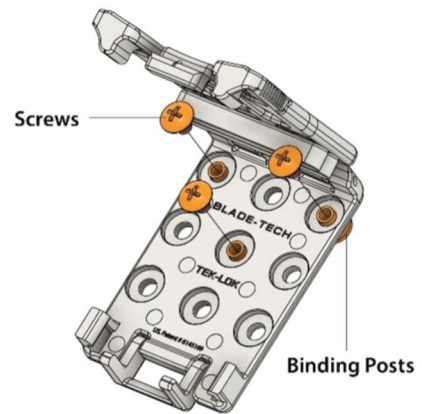
Rotate the top section upward, away from the bottom section.



Belt Shim
Adjustment: pull the shim out, insert it in the desired slot.

Removal & Cant Instructions

See the product(s) quick start guide(s) for additional instructions on Tek-Lok removal and cant instructions.



† Threadlocker to screws is advised.